

CANbus 2 Listen only

Pin	Function	Color
Pin 1	N.C.	N.C.
Pin 2	Gnd	BK
Pin 3	CAN2-H	WH
Pin 4	CAN2-L	BU
Pin 5	N.C.	N.C.

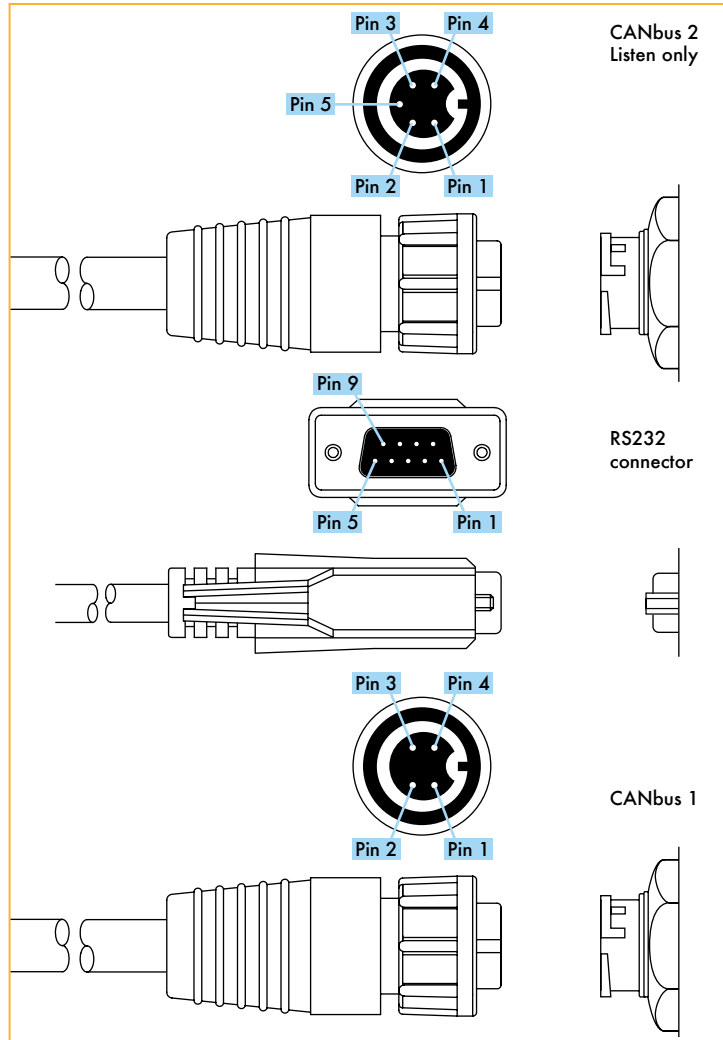
RS232 connector

Pin	Function
Pin 1	DCD 5V out*
Pin 2	Tx Transmit data
Pin 3	Rx Receive data
Pin 4	DTR N.C.
Pin 5	Gnd Signal ground
Pin 6	DSR N.C.
Pin 7	RTS Request To Send
Pin 8	CTS Clear To Send
Pin 9	RI 5V out*

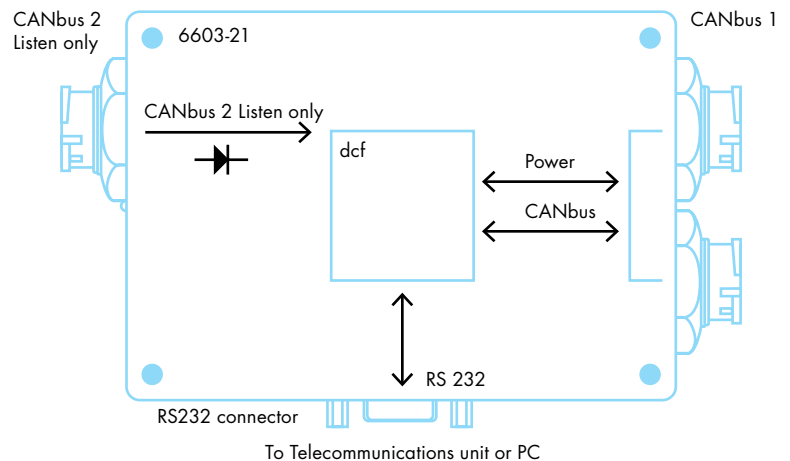
*total 50mA

CANbus 1

Pin	Function	Color
Pin 1	V+ 10...60V	BN
Pin 2	Gnd	BK
Pin 3	CAN1-H	WH
Pin 4	CAN1-L	BU



Connection



Colour code of electric cables

BK	Black	Zwart	Schwarz	Noir	Negro	Nero	Чернота
BN	Brown	Bruin	Braun	Brun	Marrón	Marrone	коричневый
BU	Blue	Blauw	Blau	Bleu	Azul	Blu	Голуба
GR	Green	Groen	Grün	Vert	Verde	Verde	зеленый цвет
GY	Grey	Grijs	Grau	Gris	Gris	Grigio	серо
OG	Orange	Oranje	Orange	Anaranjado	Alaranjado		померанцово
RD	Red	Rood	Rot	Rouge	Rojo	Rosso	красно
WH	White	Wit	Weiss	Blanc	Blanco	Bianco	белый
YE	Yellow	Geel	Gelb	Jaune	Amarillo	Giallo	желтый цвет

Fig.1 Connect to a vehicle CANbus system.

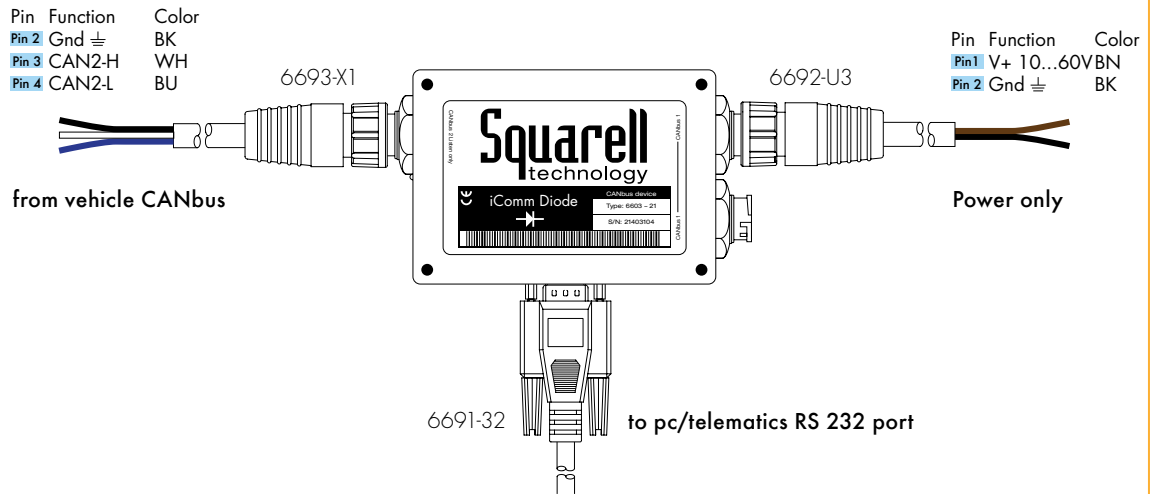


Fig. 2 iComm Diode to telematics CANbus.

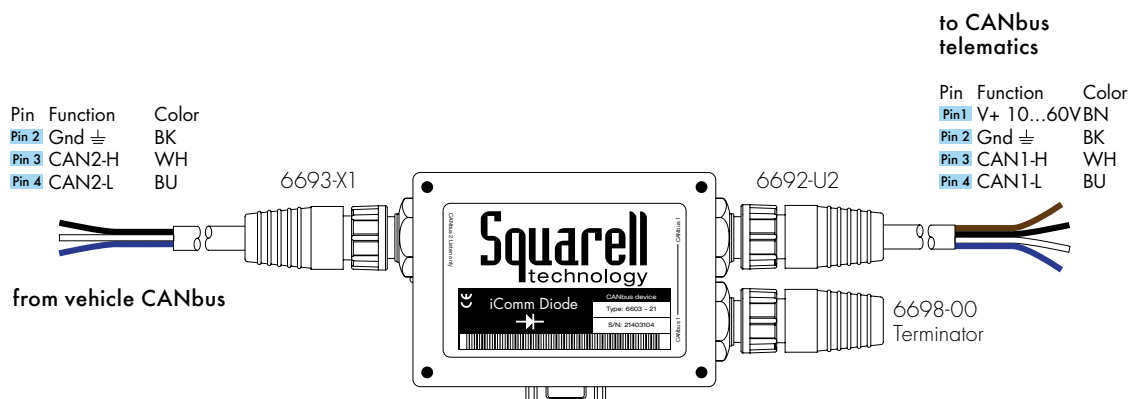


Fig. 3 Configure (upload dcf) via CANbus.

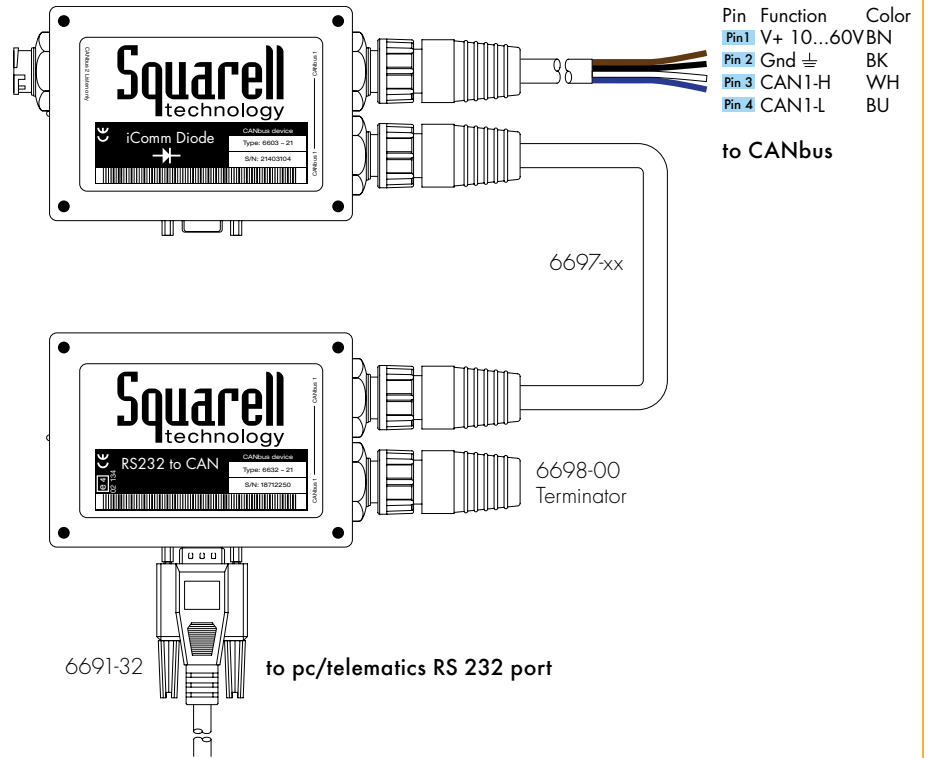


Fig. 4 Configure (upload dcf) via RS 232.

